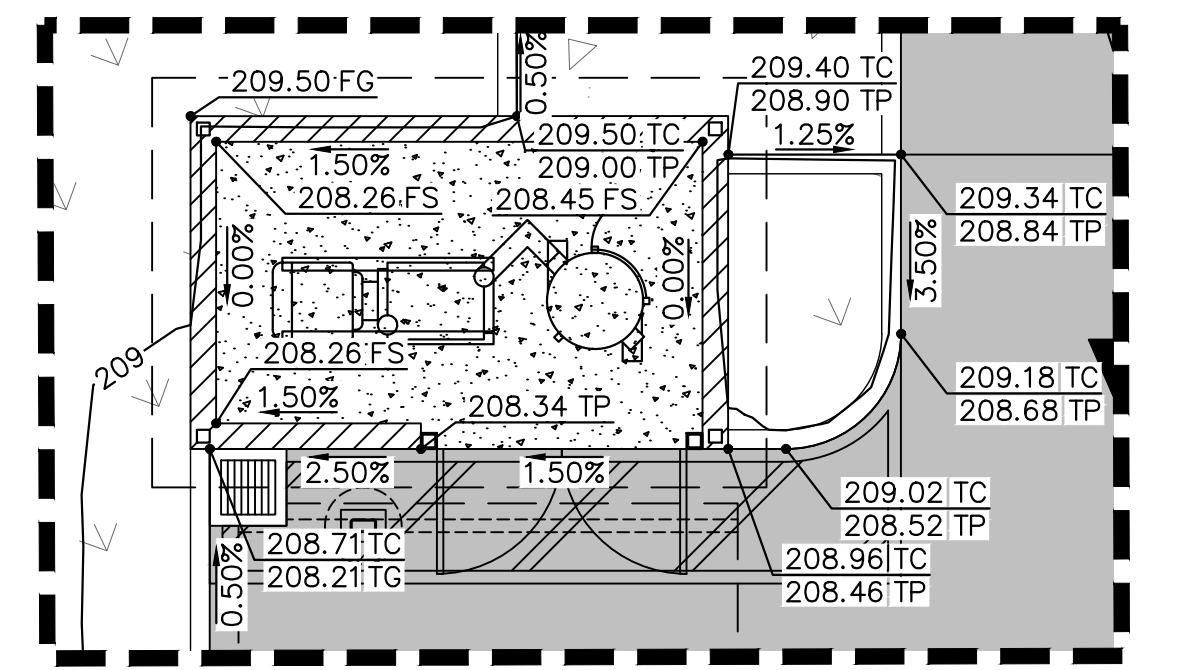


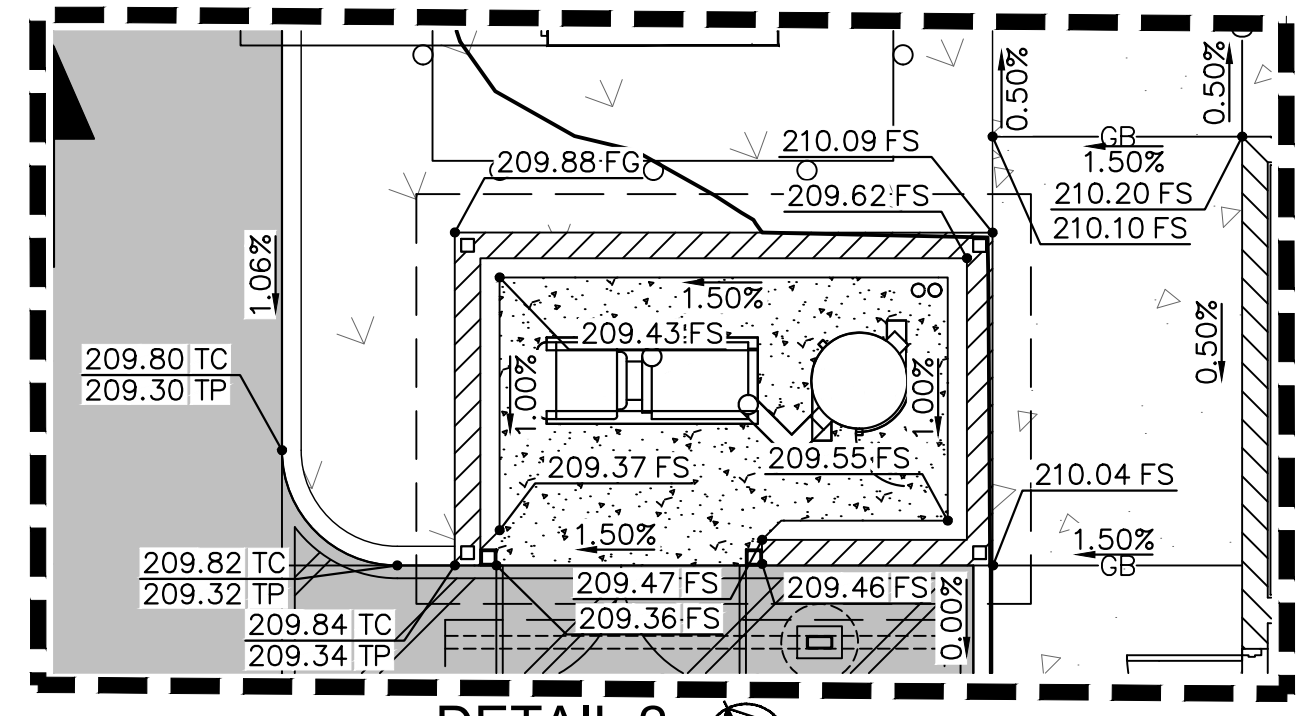
LEGEND

- PROPERTY LINE
- CENTER LINE
- RIGHT-OF-WAY
- CIVIL LIMITS OF WORK
- EASEMENT LINE
- PREVIOUS PROPERTY LINE
- FLOW LINE
- SLOPE
- PROPOSED ELEVATION
- EXISTING ELEVATION
- STANDARD DUTY CONCRETE PAVEMENT
- HEAVY DUTY CONCRETE PAVEMENT
- PROPOSED LANDSCAPE AREA
- BLACK HEAVY DUTY CONCRETE PAVEMENT
- DETECTABLE WARNINGS

- ### EASEMENT NOTES
- 5 EASEMENT GRANTED TO CITY OF ROSEVILLE FOR ROAD AND PUBLIC UTILITIES AS GRANTED ON MAY 15, 1984 IN BOOK 2693, PAGE 892, OF OFFICIAL RECORDS.
 - 6 EASEMENT GRANTED TO CITY OF ROSEVILLE FOR SLOPES AS GRANTED ON OCTOBER 11, 1984 IN BOOK 2742, PAGE 286, OF OFFICIAL RECORDS
 - 12 EASEMENT GRANTED TO CITY OF ROSEVILLE FOR PUBLIC UTILITIES AS GRANTED ON JANUARY 9, 1998 IN RECORDING NO. 98-1197 OF OFFICIAL RECORDS.
 - 14 PUBLIC RIGHT OF WAY EASEMENT AS OFFERED FOR DEDICATION, ON THE MAP OF SAID TRACT/PLAT BOOK 31 OF PARCEL MAPS PAGE 24 PLACER COUNTY RECORDS.



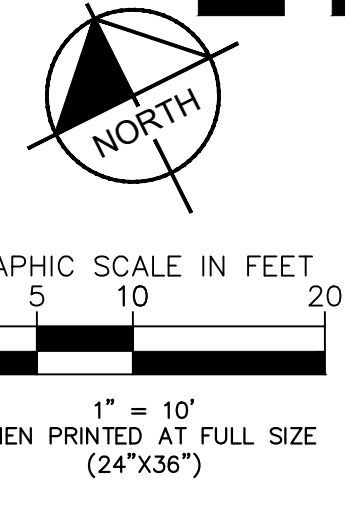
DETAIL 1
1"=5'



DETAIL 2
1"=5'

N.A.P.
APN:048-451-001

MATCH LINE SEE SHEET 8



Call before you Dig
Avoid hitting underground utility lines in the earth.

OR
1-800-227-2600

| REVISIONS | | | | |
|-----------|-------------|------|----|-------|
| SHT. | DESCRIPTION | DATE | BY | APPR. |
| | | | | |
| | | | | |
| | | | | |

CITY OF ROSEVILLE
DEPARTMENT OF DEVELOPMENT SERVICES

ACCEPTED BY: _____

CITY ENGINEER _____ DATE _____

SEAL - ENGINEER

Kimley»Horn

3801 UNIVERSITY AVE, SUITE 300
RIVERSIDE, CA 92501
PHONE: (951) 543-9868
WWW.KIMLEY-HORN.COM

PREPARED UNDER THE SUPERVISION OF: _____ DESIGNED BY: JY_ CHECKED BY: XO

R.C.E. NO.: 94675
DATE: 7/18/2024

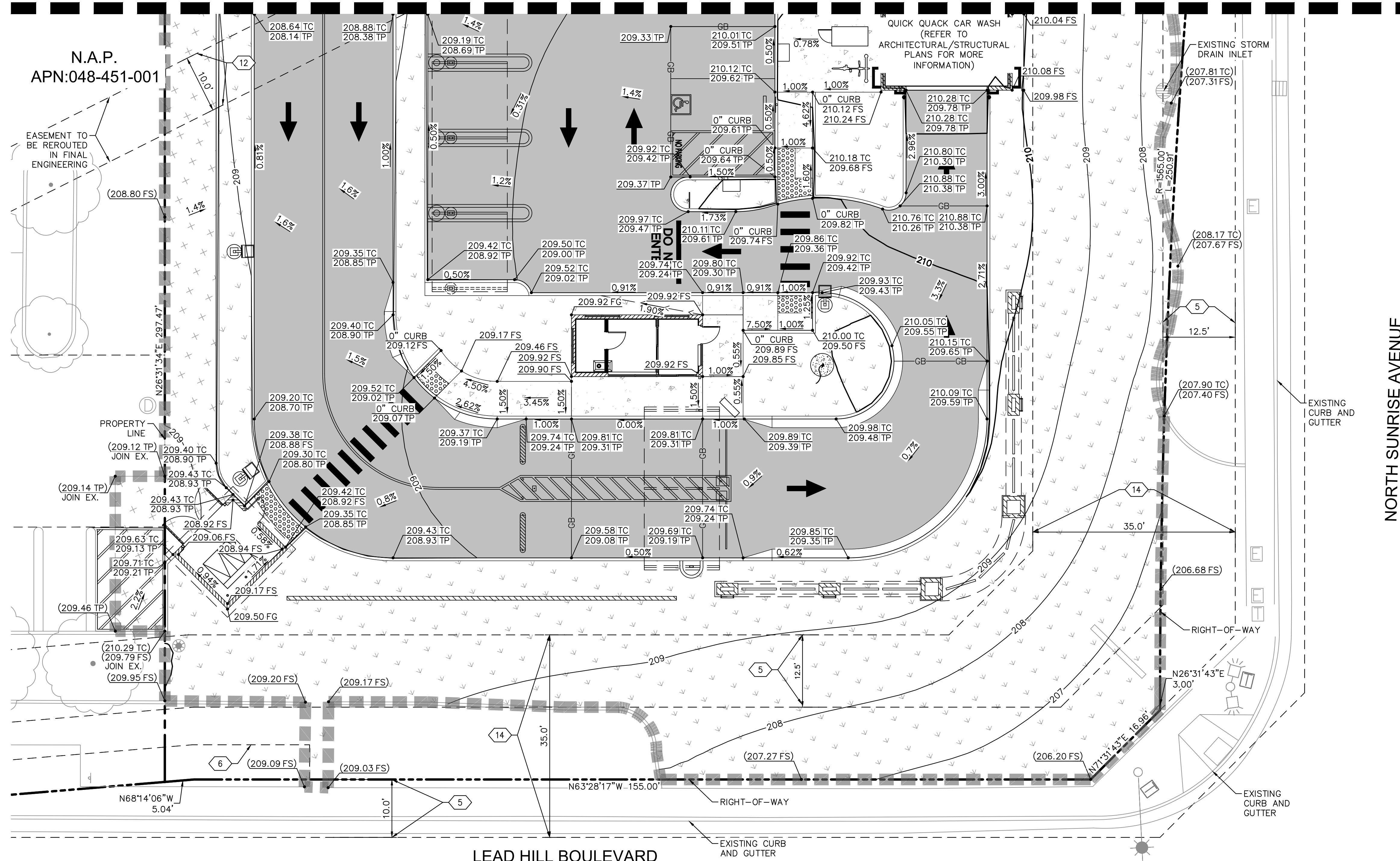
CITY OF ROSEVILLE
DEVELOPMENT SERVICES DEPARTMENT

QUICK QUACK CAR WASH #26-651
300 NORTH SUNRISE AVENUE
PRELIMINARY GRADING PLAN

SHEET NO.
7
of 16

PROJECT NO:

MATCH LINE SEE SHEET 7



LEGEND

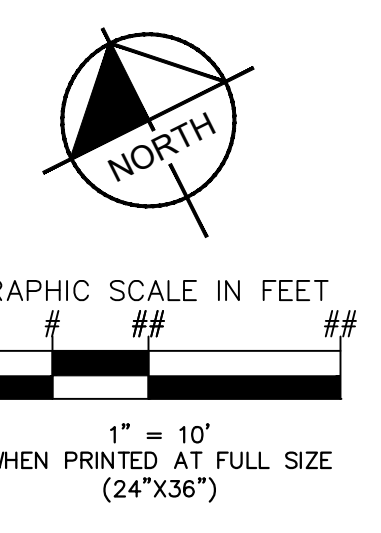
- PROPERTY LINE
- CENTER LINE
- RIGHT-OF-WAY
- CIVIL LIMITS OF WORK
- EASEMENT LINE
- PREVIOUS PROPERTY LINE
- FLOW LINE
- SLOPE
- PROPOSED ELEVATION
- EXISTING ELEVATION
- STANDARD DUTY CONCRETE PAVEMENT
- HEAVY DUTY CONCRETE PAVEMENT
- PROPOSED LANDSCAPE AREA
- BLACK HEAVY DUTY CONCRETE PAVEMENT
- DETECTABLE WARNINGS

EASEMENT NOTES

- 5 EASEMENT GRANTED TO CITY OF ROSEVILLE FOR ROAD AND PUBLIC UTILITIES AS GRANTED ON MAY 15, 1984 IN BOOK 2693, PAGE 892, OF OFFICIAL RECORDS.
- 6 EASEMENT GRANTED TO CITY OF ROSEVILLE FOR SLOPES AS GRANTED ON OCTOBER 11, 1984 IN BOOK 2742, PAGE 286, OF OFFICIAL RECORDS.
- 12 EASEMENT GRANTED TO CITY OF ROSEVILLE FOR PUBLIC UTILITIES AS GRANTED ON JANUARY 9, 1998 IN RECORDING NO. 98-1197 OF OFFICIAL RECORDS.
- 14 PUBLIC RIGHT OF WAY EASEMENT AS OFFERED FOR DEDICATION, ON THE MAP OF SAID TRACT/PLAT BOOK 31 OF PARCEL MAPS PAGE 24 PLACER COUNTY RECORDS.

NORTH SUNRISE AVENUE

LEAD HILL BOULEVARD



Call before you Dig
Avoid hitting underground utility lines. It's easy.

Call 811

OR
1-800-227-2600

| REVISIONS | | | | |
|-----------|-------------|------|----|------|
| SHT. | DESCRIPTION | DATE | BY | APPR |
| | | | | |
| | | | | |
| | | | | |
| | | | | |

CITY OF ROSEVILLE
DEPARTMENT OF DEVELOPMENT SERVICES

ACCEPTED BY: _____

CITY ENGINEER _____ DATE _____

SEAL - ENGINEER

NO. 44675
LETICIA ALVAREZ
REGISTERED PROFESSIONAL ENGINEER
STATE OF CALIFORNIA

Kimley»Horn

© 2024 KIMLEY-HORN AND ASSOCIATES, INC. 3801 UNIVERSITY AVE, SUITE 300 RIVERSIDE, CA 92501
PHONE: (951) 543-9868 WWW.KIMLEY-HORN.COM

PREPARED UNDER THE SUPERVISION OF: _____ DESIGNED BY: JY_ CHECKED BY: XO
R.C.E. NO.: 94675 DATE: 7/18/2024

CITY OF ROSEVILLE
DEVELOPMENT SERVICES DEPARTMENT

QUICK QUACK CAR WASH #26-651
300 NORTH SUNRISE AVENUE

SHEET NO. _____

of 16

PROJECT NO: _____